

IPART APPROVED



### Product Features:

- **Slim body design**, less than 70mm in thickness
- Real optical internally reeded diffuser for higher efficiency and less glare
- **Efficient heat release design** using aluminium plate and cooling fins
- **IP65 weatherproof fitting**
- High reflectance rate aluminium reflector with anodic oxidation treatment
- **Polycarbonate body and diffuser**
- **Stainless steel clips**
- ABS body and acrylic diffuser available on request
- Ideal for use in areas subject to the weather and dust



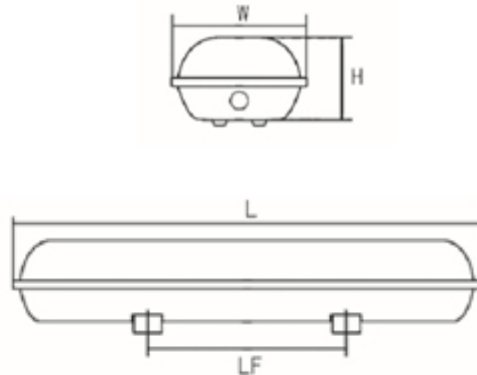
### Application:

- Commercial and residential car parks
- Outdoor security lights
- Under canopy areas and loading bays

## SLIM LED Weatherproof Batten

### Quick Spec

<b>Color Temperature:</b>	2700-6500K
<b>Color rendering Index:</b>	Ra ≥ 75
<b>Luminous efficacy:</b>	95 lm/w
<b>LED brand:</b>	Epistar 2835
<b>Avg rated LED life:</b>	36,000 hrs@L70
<b>Ambient temperature:</b>	-35°C to 45°C
<b>Warranty:</b>	3 year warranty



Model	Power Rating	Supply Voltage	L (mm)	W (mm)	H (mm)	LF (mm)	Clip No	Lumen Outputs
SL-2209B	2x9W	AC85-265V, 50Hz	665	128	68	390	6	1710lm
SL-2218B	2x18W	AC85-265V, 50Hz	1268	128	68	858	10	3420lm