

# Slimline LED Flood Light A Series



## Product Features:

- Ultra Slim & Sleek designed body, classic and stylish look, only 60mm in depth
- Replaces conventional MV and MH light and saving up to 70% energy consumption
- Meanwell HLG driver and Philips SMD 3030 LED used for longer lifetime
- Integrated reflector and heatsink design to increase the efficiency of heat dissipation
- Large size PCB and professional optical design for better light distribution and efficiency
- Innovative G-buckle design for fixing glass lens giving elegant appearance, no screws required
- High transparency tempered glass lens used to achieve more than 93% light transmittance
- 5 Year replacement warranty

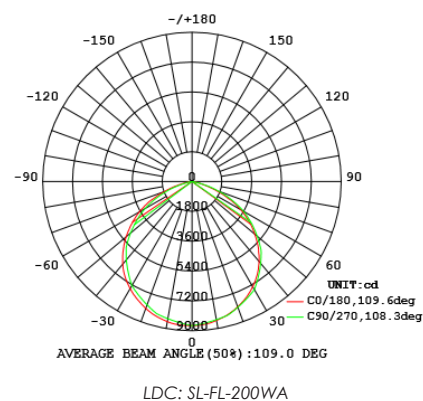
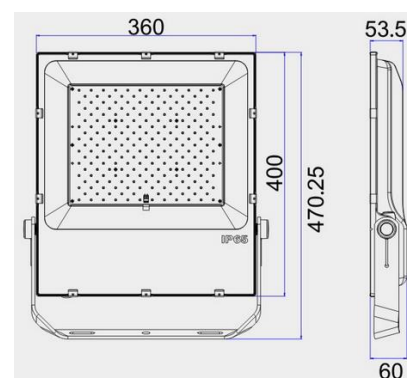
## Application:

- Commercial and residential car parks
- Outdoor security lights
- Under canopy areas and loading bays



## Quick Spec

- Luminous Efficacy:** 100 lm/w
- Color temperature:** 2700k-6000K, CRI > 80
- Average rated LED life:** 50,000hrs @ L70
- Ambient temperature:** -35°C to 45°C
- Beam Angle:** 100°



Model	Watts	Supply Volatage	Lumen Output	L*W*H (mm)	Weight	IP Rating
SL-FL-100WA	100W	AC85-265V,50Hz	10000lm	295*345*60	5.0Kgs	IP65
SL-FL-150WA	150W	AC85-265V,50Hz	15000lm	330*365*60	7.0Kgs	IP65
SL-FL-200WA	200W	AC85-265V,50Hz	20000lm	360*400*60	8.0Kgs	IP65