

# 4Bay LED Lowbay Light



### Product Features:

- Energy efficient new design 4Bay LED Lowbay light with high efficacy of 140lm/w
- Equipped with Meanwell HLG driver and Philips Lumileds LED for longer lifespan over 50,000hrs
- Adjustable module with 16 Tick-tock and 200° rotatable to achieve various light distribution
- Large size cooling fins heatsink design for the optimum heat dissipation outcome
- Easy installation with hook/chain hanging or extension aluminium pole mounting
- Easy maintenance with replaceable individual module
- 1.2 metres flex and 3 pin plug standard
- 5 year replacement warranty

### Application:

- Industrial factory and warehouse
- Commercial outlet store and distribution centre
- Indoor/outdoor Sports centre



### Quick Spec

**Luminous Efficacy:** 140 lm/w

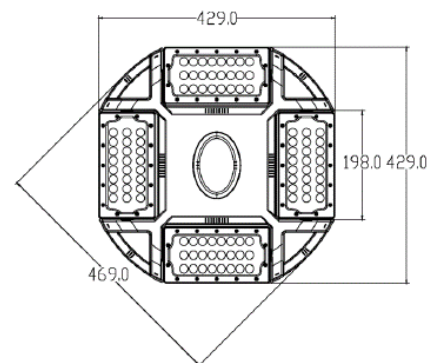
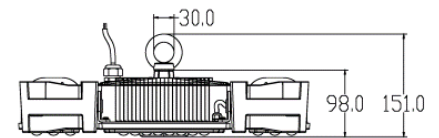
**Color temperature:** 2700k-6500K, CRI > 70

**LED Chip Brand:** Philips Lumiled LED

**Average rated LED life:** 50,000hrs @ L70

**Ambient temperature:** -25°C to 60°C

**Beam Angle:** 30°, 60°, 120°



Model	Watts	Supply Volatage	Lumen Output	Dim (mm)	Weight	IP Rating
SL-4Bay-200W	200W	AC90-277V,50Hz	28000lm	Ø429*H98	5.1kgs	IP65
SL-4Bay-240W	240W	AC90-277V,50Hz	33600lm	Ø429*H98	5.1kgs	IP65