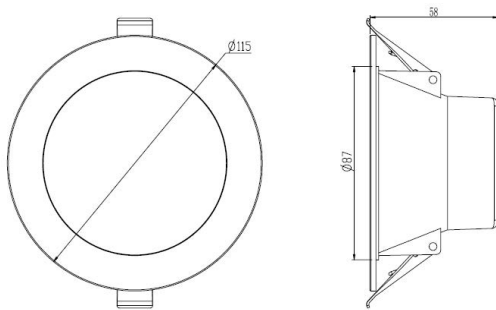




Product Features:

- Energy efficient, high efficacy LED downlight
- V0 rating flame resistant plastic housing and built-in driver design for safety and economy
- Flat face for neat finish and easy clean-up
- Up to 70% energy savings compared to CFL
- Long lifetime of 40,000hours
- Dimmable on most Leading and/or Trailing Edge and Universal Dimmers
- 95° wide beam angle
- IP20 for indoor use only
- Three color temperature available: warm white; neutral white and cool white
- 0.6m Flex and 2 pin plug standard
- 3 year replacement warranty
- Standard 90-100mm cutout

10W LED Downlight Built-in driver

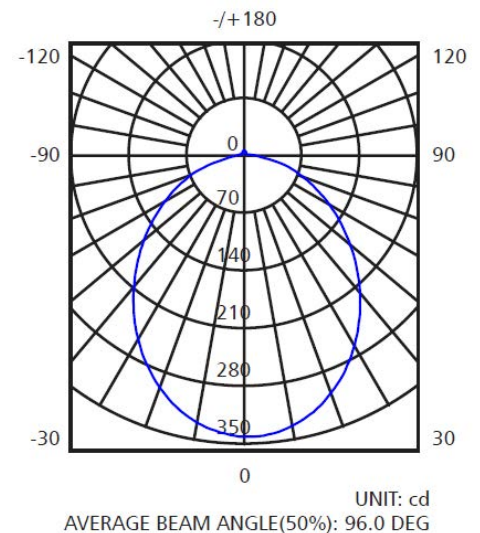


Cutout Ø90-100mm

Quick Spec

Luminous Efficacy:	85-90 lm/w
Color temperature:	3000K, 4000K, 5700K CRI > 80
Average rated LED life:	40,000hrs @ L70
Ambient temperature:	-25°C to 45°C
Beam angle:	95°

Polar intensity diagram



Model	Watts	Supply Voltage	Lumen Output	L*W*H (mm)	Dimmable	IP Rating
SL-DL41-10W	10W	AC200-240V,50Hz	850-950lm	115*115*58	Yes	IP20