

60W Commercial LED Highbay



Product Features:

- Energy efficient commercial LED highbay light at popular 60W.
- Meanwell driver and Epistar COB LED used for longer lifetime
- 3-D heat dissipation design creating airflow inside the heatsink maximizing heat dissipation
- Matt black finish suitable for commercial use
- Hook/ring hanging design for easy installation
- 1.2 metres flex and 3 pin plug standard
- 3 year replacement warranty

Application:

- Commercial workshops and showrooms
- Commercial direct factory outlet stores and distribution centres



Quick Spec

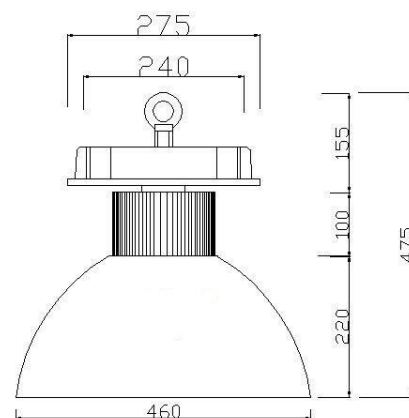
Luminous Efficacy: 110 lm/w

Color temperature: 4000k/5000K, CRI > 80

Average rated LED life: 40,000hrs @ L70

Ambient temperature: -35°C to 45°C

Beam Angle: 50°



(Dimensions in mm)

Model	Watts	Supply Voltage	Lumen Output	Dim (mm)	Weight	IP Rating
SL-BL-60WE-C	60W	AC220-240V,50Hz	6600lm	Ø460*H475	4.5kgs	IP20