

IPART APPROVED

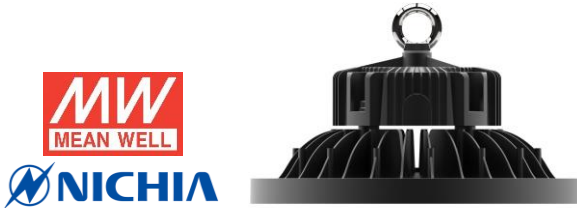


Product Features:

- Energy efficient LED Low Bay with popular beam angle design, 60° and 90°
- Compact and modern design, fitting height only 183mm, more applicable and attractive
- Replaces conventional MV and MH High bay and/or low bay lights, saving 2/3 of energy
- Meanwell HBG driver and Japan made Nichia 757 LED chip used for longer lifetime
- Integrated heat sink design for better heat dissipation outcome
- Optical lens cover used for less glare and softer light, and Impact rating IK08 achieved
- Weatherproof design with IP66 rating
- 1.2 metres flex and 3 pin plug standard
- 5 year replacement warranty



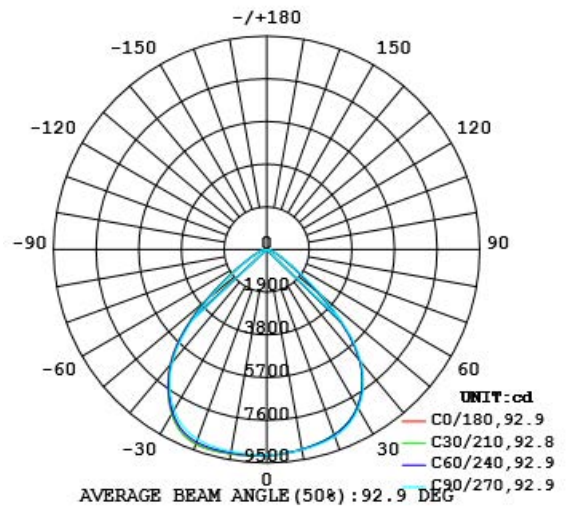
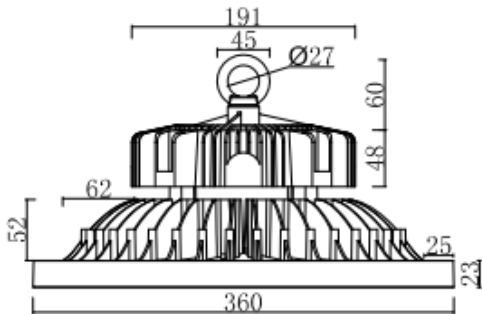
IP66 IK08 UGR<23



Application:

- Industrial factories, workshops and warehouses
- Indoor sports and exhibition halls/centers
- Outdoor canopy light and car parks

LED Low Bay L Series



LDC: SL-BL-150WL-B

Quick Spec

- Luminous Efficacy:** 125 lm/w
- Color temperature:** 4000K/5000K/5700K, CRI > 80
- Average rated LED life:** 60,400hrs @ L70
- Ambient temperature:** -30°C to 45°C
- Beam Angle:** 60°, 90°

Model	LCP	Supply Voltage	Lumen Output	Dim (mm)	Weight	IP Rating
SL-BL-150WL-B	147.3W	AC90-305V,50Hz	18667lm	Ø360*H183	5.4kgs	IP65