

SLIM LED Weatherproof Batten

TRIDONIC



Product Features:

- **Slim body design**, less than 70mm in thickness
- Real optical internally reeded diffuser for higher efficiency and less glare
- **Efficient heat release design** using aluminium plate and cooling fins
- **IP65 weatherproof fitting**
- Quality Tridonic LED Driver used for long lifetime
- **Polycarbonate body and diffuser**
- **Stainless steel clips**
- Ideal for use in areas subject to the weather and dust

Application:

- Commercial and residential carparks, corridors and Fire stairs.
- Under canopy areas and loading bays



Quick Spec

Color temperature: 4000K/6000K

Color rendering Index: Ra ≥ 75

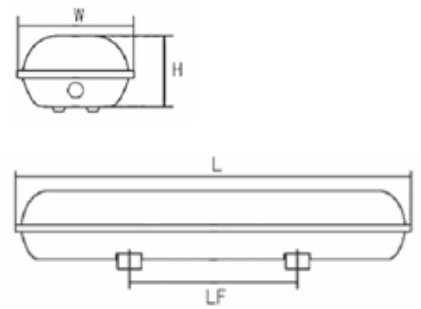
Luminaire efficacy: 110 lm/w

LED brand: SANAN 2835

Average rated LED life: 40,000 hrs@L70

Ambient temperature: -25°C to 45°C

Warranty: 3 year warranty



Model	Power Rating	Input Voltage	L (mm)	W (mm)	H (mm)	LF (mm)	Clip No	Lumen Outputs
SL-2109B	9W	AC220/240V	665	85	62	360	6	1035lm
SL-2209B	18W	AC220/240V	665	128	68	390	6	1980lm
SL-2118B	18W	AC220/240V	1268	85	62	858	10	1910lm
SL-2218B	36W	AC220/240V	1268	128	68	858	10	3960lm