

'SO' Series LED Lowbay



Product Features:

- Energy efficient LED Lowbay light, efficacy 130lm/W
- Deep recessed anti-glare lens for optimum glare control
- Compact and modern design, fitting height 190mm
- Replaces conventional MV and MH Highbays/Lowbays - energy savings up to 50%
- Sosen driver and Osram LED chip for greater reliability and longer life
- Integrated heat sink design for better heat dissipation
- Weatherproof design - IP65 rating
- 1.5 metre flex and 3 pin plug standard
- 1-10V dimmable driver standard
- 5 Year Replacement Warranty

Application:

- Industrial factories, workshops and warehouses
- Outdoor canopy light and loading bay lighting

Quick Spec

Luminous Efficacy: 130 lm/W

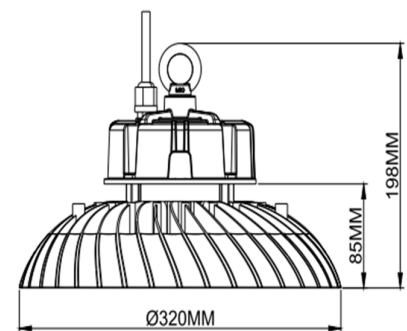
Color Temperature: 5000K

Color Rendering Index: Ra > 75

Average Rated LED life: 54,000hrs @ L70

Ambient Temperature: -35°C to 45°C

Beam Angle: 90°, 110°



Model	LCP	Supply Voltage	Lumen Output	Dim (mm)	Weight	IP Rating
SL-HL-150WA	150W	AC100-265V,50Hz	19500lm	Ø320*H198	3.4kgs	IP65
SL-HL-200WA	200W	AC100-265V,50Hz	26000lm	Ø320*H198	3.6kgs	IP65