

ML08 LED Garden Light



Product Features:

- Energy efficient LED Garden/Landscape Light with wide distribution design
- Quality Die-casting aluminum RAL9005 body with black powder coated finish
- Architectural unique luminaire design with 94-V0 Fire rated PC diffuser for optimal glare control
- Designed outdoor use: IP65 ingress protection rating and IK10 Impact rating
- Easy base plate mount installation
- Multiple height available in 300mm, 500mm, 700mm, 1000mm
- Multiple dimming function available upon request
- 3 Year Replacement Warranty

Application:

- Outdoor residential and public lighting areas: courtyard, garden, pathway



Quick Spec

Luminous Efficacy: 75-85 lm/w

Color temperature: 3000K, 4000K, 5000K

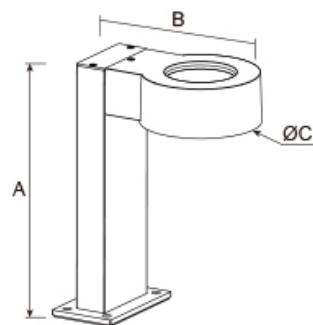
Color Rendering Index: RA>80

Average rated LED life: >50,000hrs @ L70

LED brand/qty: SMD LEDs

Ambient temperature: -20°C to +45°C

Beam Angle: 120°



Model	Watts	Supply Voltage	Lumen Output	Dimension A*B*C	IP Rating
SL-ML08-300-8W	8W	AC 100-240, 50Hz	600-650lm	300*208*Ø140mm	IP65
SL-ML08-500-8W	8W	AC 100-240, 50Hz	600-650lm	500*208*Ø140mm	IP65
SL-ML08-700-8W	8W	AC 100-240, 50Hz	600-650lm	700*208*Ø140mm	IP65
SL-ML08-1000-8W	8W	AC 100-240, 50Hz	600-650lm	1000*208*Ø140mm	IP65